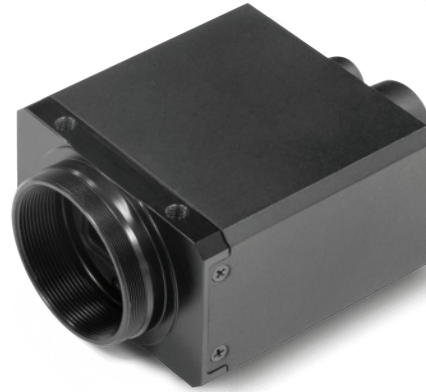


# Triton<sup>®</sup>2 SWIR

**LUCID**  
VISION LABS

Sony<sup>®</sup> SenSWIR™ IMX992 and IMX993 InGaAs Sensors



**SWIR**

Model	Resolution	FPS	Sensor	Pixel Size	Shutter	Sensitivity Range	Lens Mount	GigE Interface
TRT033S-WC	<b>3.2 MP</b> 2048x1536 px	103 fps	Sony IMX993 InGaAs	3.45 μm	Global	400 to 1700 nm	C-Mount	2.5GBASE-T, MI2, PoE
TRT053S-WC	<b>5.2 MP</b> 2560 x 2049 px	47 fps	Sony IMX992 InGaAs	3.45 μm	Global	400 to 1700 nm	C-Mount	2.5GBASE-T, MI2, PoE

Interface, Power, and Size Information	
Digital Interface	2.5GBASE-T, 1000BASE-T MI2 (8Pin X-Coded), PoE
GPIO Interface	8 pin M8 connector
Opto-isolated I/O ports	1input , 1output
Non-isolated I/O ports	2 bi -directional
Dimensions	44 x 29 x 45.3 mm
Lens Mount	C-Mount
Weight	90 g
Power Requirement	PoE(IEE802.3af), or 12-24V through GPIO
Power Consumption	5W via PoE, 4.5W when powered externally

Standard and Certifications	
Standard	GigE Vision v2.0
Compliance	CE, FCC, RoHS, REACH, WEEE
IP Rating	IP67
Storage Temperature	-30 to 60°C
Operating Temperature	-20 to 50°C Case Temperature
Humidity	Operating: 20% ~ 80%, relative, non-condensing
Shock and vibration	DIN EN 60068-2 *#%& &' ((') '*%& &' ((') '*
Industrial EMC Immunity	DIN EN 61000-6-2
!	3 ears

Imaging Properties	
Image Buffer	128 MB
Image Processing	Gain, gamma, black level, LUT, pixel correction
Pixel Formats	Mono8/10/12/16
Image Modes	Decimation, Binning, ROI, horizontal and vertical flip
ADC	8, 10, 12 bit
Gain Range	0 dB to 42 dB analog and digital
Exposure Time	20.5μs to 10s(Normal) / 2.88μs to 7.42μs (Short Mode)

Camera Features	
Cooling Capability	None
User Sets	1 default and 2 custom user set
File system size	16MB
Chunk Data	Image, CRC, histogram stats, timestamp, line status, sequencer set, pixel format, width/height, offset X/Y, pixel dynamic range min/max, gain, black level, exposure time
Event Data	Acquisition start/end, exposure start/end, line rise/fall, error
Counter & Timer	2 counters and 2 timers
Sequencer	Exposure time, gain
Synchronization	Software trigger, hardware trigger, PTP (IEEE1588)

\*Not including lens barrel or interface ports

**LUCID**  
VISION LABS

sales@thinklucid.com  
www.thinklucid.com

**FSB**  
Feel So Bene

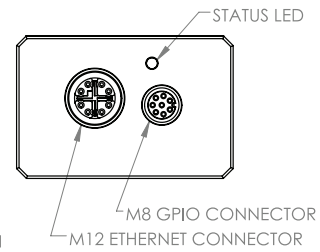
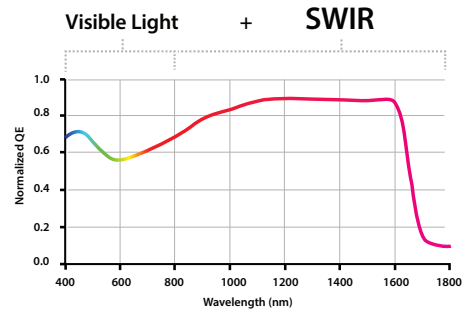
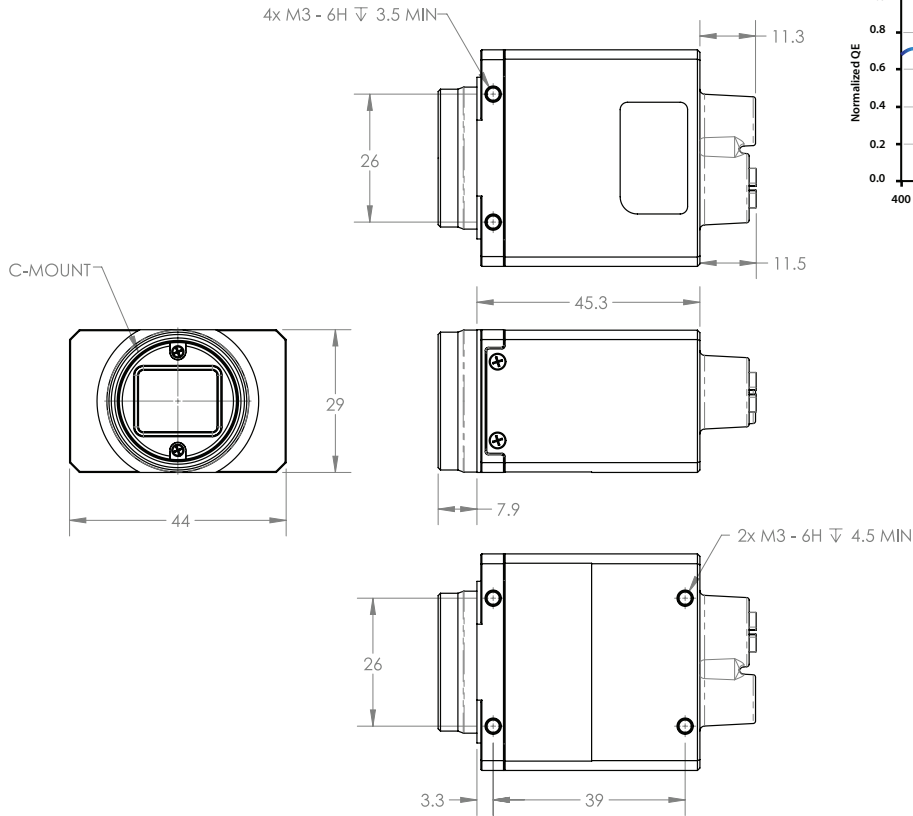
서울특별시 강남구 영동대로 324, 테워크리스팅빌딩 5층 507호  
TEL 070-4044-0118 / FAX 070-4044-1116  
Sales - roychoi@feelsobene.com / hug@feelsobene.com  
Technical Support - fsd.support@feelsobene.com  
Homepage - www.feelsobene.com

# Triton<sup>®</sup>2 SWIR



Sony<sup>®</sup> SenSWIR™ IMX992 and IMX993 InGaAs Sensors

## C-Mount Model



sales@thinklucid.com  
www.thinklucid.com



서울특별시 강남구 영동대로 324, 타워크리스탈빌딩 5층 507호  
TEL 070-4044-0118 / FAX 070-4044-1116  
Sales - roychoi@feelsobene.com / hug@feelsobene.com  
Technical Support - fsd.support@feelsobene.com  
Homepage - www.feelsobene.com